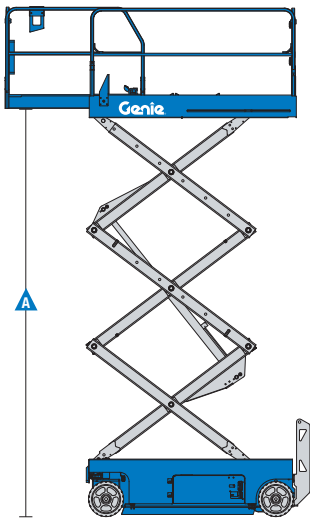
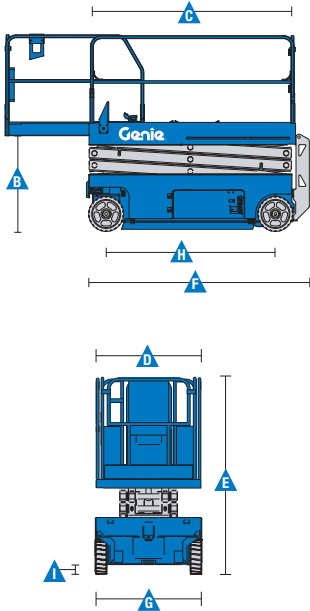


# Self-Propelled Scissor Lifts

GS™ -2046, GS-2646 & GS-3246  
E-drive

## Specifications



Models	GS-2046		GS-2646		GS-3246	
Measurements	US	Metric	US	Metric	US	Metric
Working height maximum - indoor <sup>1</sup>	26 ft 1 in	8.13 m	32 ft 1 in	9.96 m	38 ft 1 in	11.78 m
- outdoor <sup>1</sup>	22 ft 4 in	6.98 m	25 ft 8 in	7.99 m	28 ft	8.71 m
<b>A</b> Platform height maximum - indoor	20 ft 1 in	6.13 m	26 ft 1 in	7.96 m	32 ft 1 in	9.78 m
- outdoor	16 ft 4 in	4.98 m	19 ft 8 in	5.99 m	22 ft	6.71 m
<b>B</b> Platform height stowed	3 ft 6 in	1.07 m	3 ft 11 in	1.2 m	4 ft 4 in	1.32m
<b>C</b> Platform length - outside	7 ft 5 in	2.26 m	7 ft 5 in	2.26 m	7 ft 5 in	2.26 m
extended	10 ft 5 in	3.18 m	10 ft 5 in	3.18 m	10 ft 5 in	3.18 m
Roll-out platform extension deck	3 ft	0.91 m	3 ft	0.91 m	3 ft	0.91 m
<b>D</b> Platform width - outside	3 ft 9.5 in	1.16 m	3 ft 9.5 in	1.16 m	3 ft 9.5 in	1.16 m
Guardrail height	3 ft 7 in	1.1 m	3 ft 7 in	1.1 m	3 ft 7 in	1.1 m
Toeboard height	6 in	15 cm	6 in	15 cm	6 in	15 cm
<b>E</b> Height - stowed: folding rails	7 ft 2 in	2.17 m	7 ft 7 in	2.32 m	8 ft	2.43 m
rails folded	5 ft 2 in	1.58 m	5 ft 7 in	1.7 m	6 ft	1.82 m
<b>F</b> Length - stowed	8 ft	2.44 m	8 ft	2.44 m	8 ft	2.44 m
extended	10 ft 11 in	3.33 m	10 ft 11 in	3.33 m	10 ft 11 in	3.33 m
<b>G</b> Width	3 ft 10 in	1.16 m	3 ft 10 in	1.16 m	3 ft 10 in	1.16 m
<b>H</b> Wheelbase	6 ft 1 in	1.85 m	6 ft 1 in	1.85 m	6 ft 1 in	1.85 m
<b>I</b> Ground clearance - center	5 in	12 cm	5 in	12 cm	5 in	12 cm
- with pothole guards deployed	0.9 in	2.3 cm	0.9 in	2.3 cm	0.9 in	2.3 cm

## Productivity

Maximum platform occupancy (in/out)	2/1		2/1		2/1	
Lift capacity	1,200 lbs	544 kg	1,000 lbs	454 kg	700 lbs	318 kg
Lift capacity - extension deck	250 lbs	113 kg	250 lbs	113 kg	250 lbs	113 kg
Drive height	full height		full height		full height	
Drive speed - stowed	2.0 mph	3.2 km/h	2.0 mph	3.2 km/h	2.0 mph	3.0 km/h
Drive speed - raised	0.5 mph	0.8 km/h	0.5 mph	0.8 km/h	0.5 mph	0.8 km/h
Gradeability - stowed <sup>2</sup>	25%		25%		25%	
Turning radius - inside	zero		zero		zero	
Turning radius - outside	7 ft 6 in	2.29 m	7 ft 6 in	2.29 m	7 ft 6 in	2.29 m
Raise / lower speed	32 / 26 sec		41 / 30 sec		53 / 34 sec	
Tilt sensor activation - front to back	3°		3°		3°	
- side to side	1.5°		1.5°		1.5°	
Controls	proportional		proportional		proportional	
Drive	dual AC electric drive, front wheel		dual AC electric drive, front wheel		dual AC electric drive, front wheel	
Brakes	dual electric, front wheel		dual electric, front wheel		dual electric, front wheel	
Tires - solid non-marking	15 x 5 in	38 x 13 cm	15 x 5 in	38 x 13 cm	15 x 5 in	38 x 13 cm

## Power

Power source	24 V DC (four 6 V 210 Ah batteries)					
Hydraulic system capacity	4.0 gal	15.1 L	4.0 gal	15.1 L	4.5 gal	15.1 L

## Weight<sup>3</sup> / Floor Loading<sup>4</sup>

Weight - ANSI/CSA/CE	3,913 lbs	1,775 kg	4,346 lbs	1,971 kg	5,218 lbs	2,367 kg
Tire load, maximum:	2,017 lbs	915 kg	2,127 lbs	965 kg	2,227 lbs	1,010 kg
Tire contact pressure:	139.5 psi	938 kPa	124.6 psi	935 kPa	146 psi	1,021 kPa
Occupied floor pressure:	183 psf	8.63 kPa	192 psf	9.83 kPa	210 psf	10.23 kPa

## Standards Compliance

ANSI A92.20, CSA B354.6, CE EN280, AS 1418.10

<sup>1</sup> The metric equivalent of working height adds 2 m to platform height. U.S. adds 6 ft to platform height.

<sup>2</sup> Gradeability applies to driving on slopes, see operator's manual for details regarding slope ratings.

<sup>3</sup> Weight will vary depending on options and/or country standards.

<sup>4</sup> Note: Floor loading information is approximate and does not incorporate different option configurations. It should be used only with adequate safety factors.

### Features

#### Standard Features

##### Measurements

###### GS-2046

- 26 ft (8.10 m) working height
- Up to 1,200 lbs (545 kg) lift capacity

###### GS-2646

- 32 ft (9.92 m) working height
- Up to 1,000 lbs (454 kg) lift capacity

###### GS-3246

- 38 ft (11.75 m) working height
- Up to 700 lbs (318 kg) lift capacity

##### Productivity

- 89 x 45.3 in (2.26 x 1.15 m) steel platform
- 36 in (.91 m) extension deck
- Folding rails with full height swing gate
- Drive at full height
- Dual front wheel AC electric drive motors (E-drive)
- Universal 27A smart charger
- Rear recessed charger receptacle
- SmartLink™ - dual zone control
- Proportional lift and drive
- Platform load sense system
- Platform control guard
- Platform control with battery charge indicator and diagnostic display
- On-board diagnostic system
- AC power to platform
- Lanyard attachment points
- Manual platform lowering valve
- Emergency stop at both platform and ground controls
- Dual front wheel electric brakes
- Electric & manual brake release
- Swing-out component trays
- Solid non-marking tires
- Pothole guards
- Tilt level sensor with audible alarm
- Side & rear forklift pockets
- Maintenance free diamond plate platform

#### Standard Features

##### Productivity (continued)

- Dual flashing LED beacons
- Descent alarm
- Electronic horn
- Hour meter
- Motion alarm
- Tech Pro™ Link compatible

##### Power

- 24 V DC (four 6 V 210 Ah batteries)

#### Options & Accessories

##### Productivity Options

- Air line to platform
- Automotive horn\*
- Biodegradable hydraulic fluid
- Platform control guard
- Lift Tools™ Pipe Cradle
- Lift Tools Panel Cradle
- Lift Tools Work Tray
- Lift Guard™ Contact Alarm
- Lift Connect™ Telematics
- XH (GS-2646, GS-3246) Full Outdoor Height

##### Power Options

- Power inverter (120 V/60 Hz)<sup>1</sup>
- EE rating
- AGM maintenance-free batteries
- Drive cutout while charging



<sup>1</sup> Not available with EE rating

#### Genie United States

6464 185th Ave. NE  
Redmond, WA 98052  
Telephone +1 (425) 881-1800  
Toll Free in USA/Canada +1 (800)-536-1800  
Fax +1 (425) 883-3475

#### Distributed By:

Effective Date: October, 2020. Product specifications and prices are subject to change without notice or obligation. The photographs and/or drawings in this document are for illustrative purposes only. Refer to the appropriate Operator's Manual for instructions on the proper use of this equipment. Failure to follow the appropriate Operator's Manual when using our equipment or to otherwise act irresponsibly may result in serious injury or death. The only warranty applicable to our equipment is the standard written warranty applicable to the particular product and sale and we make no other warranty, express or implied. Products and services listed may be trademarks, service marks or trade names of Terex Corporation and/or their subsidiaries in the USA and many other countries. Terex, Genie and AWP are registered trademarks of Terex Corporation or its subsidiaries. © 2020 Terex Corporation.